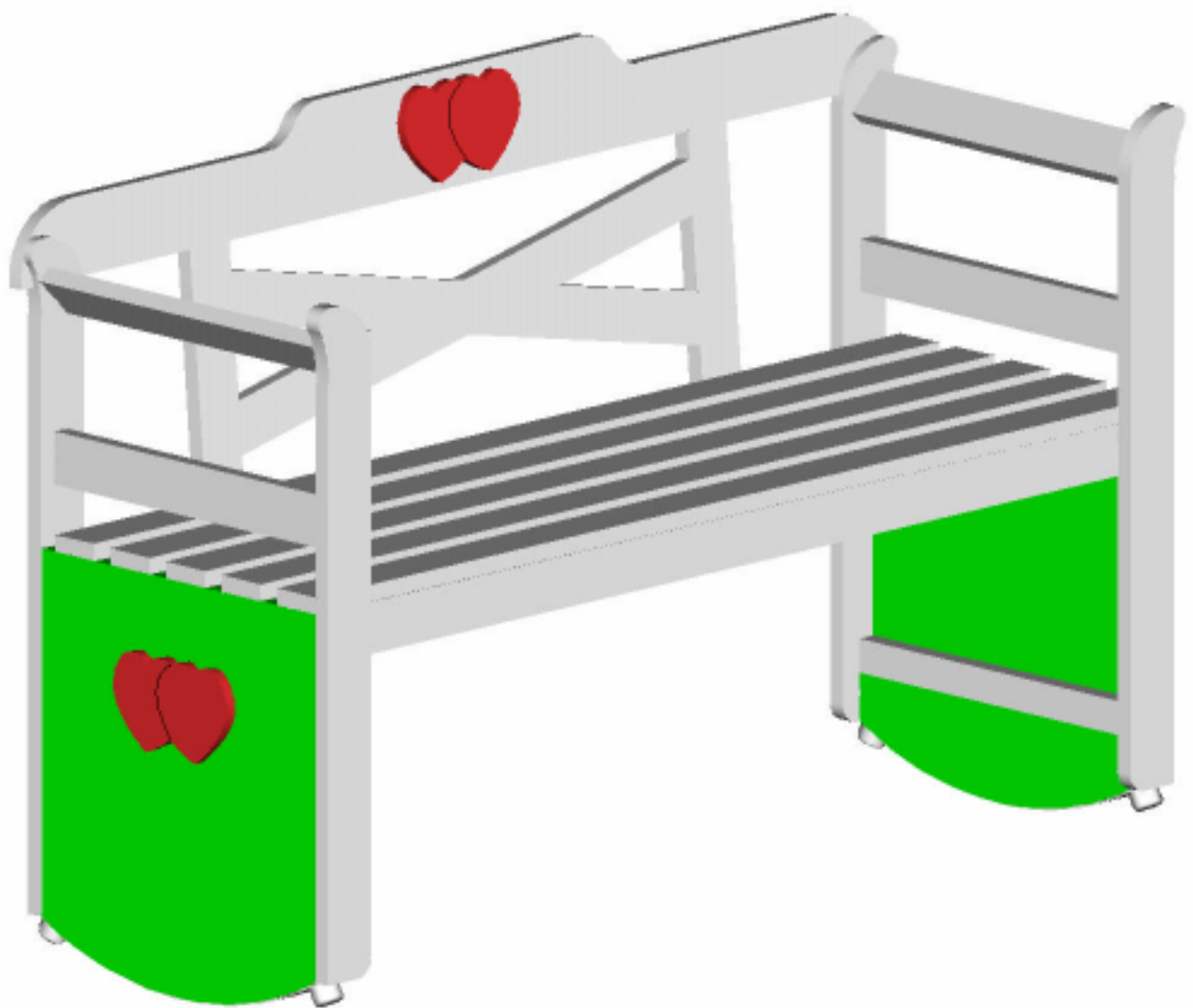
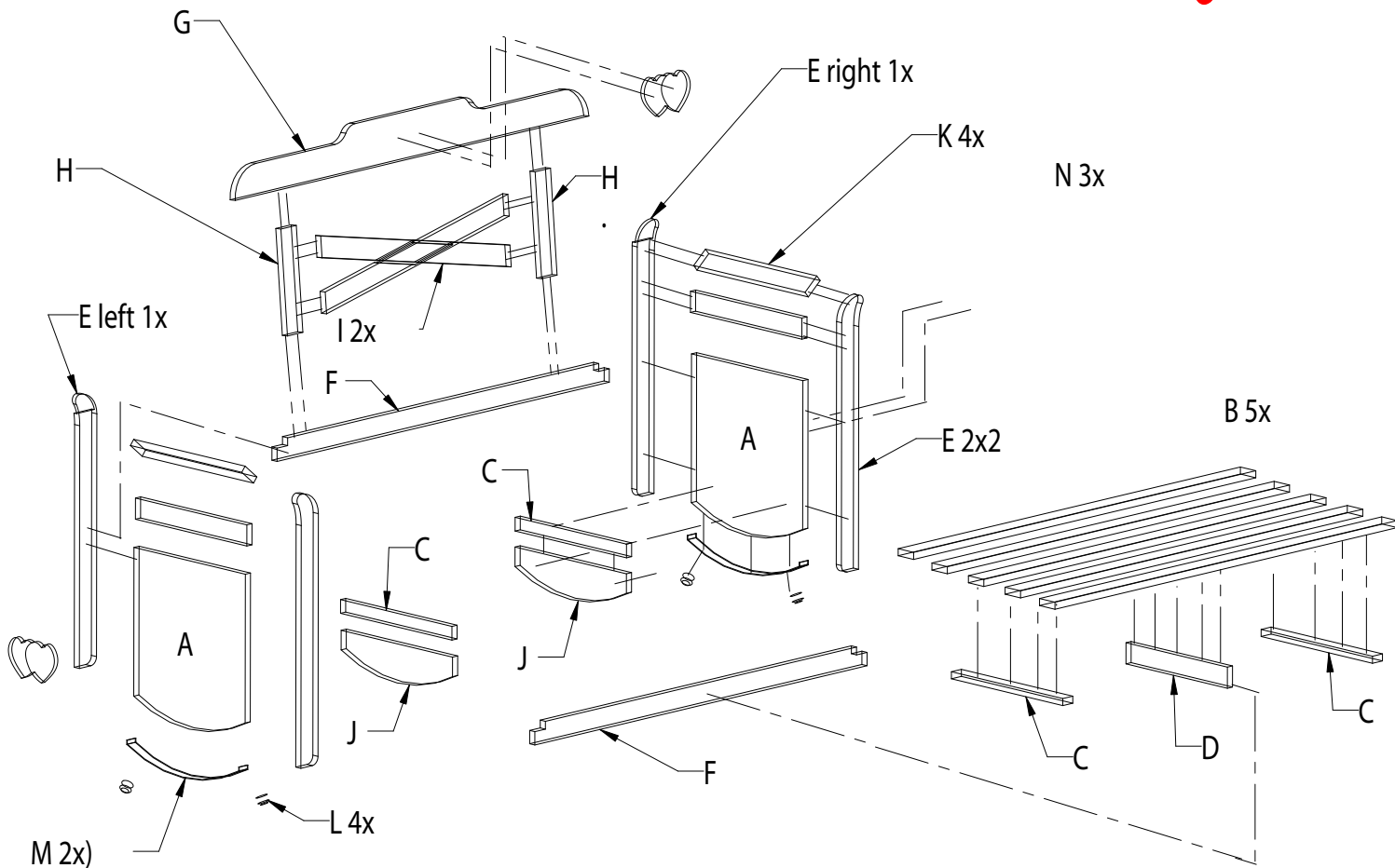
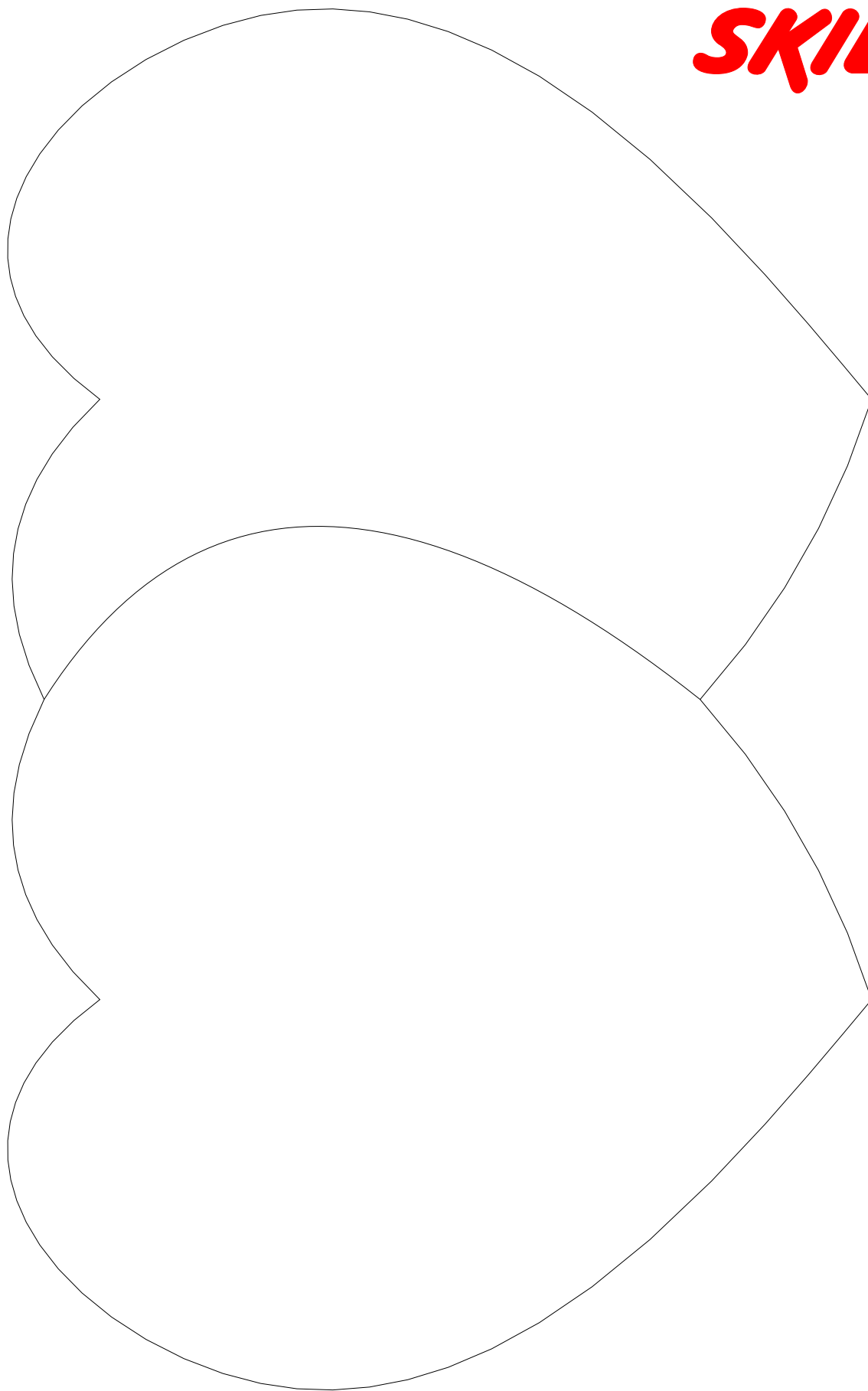


**SKIL**<sup>®</sup>





- A : MDF 49x43 Radius max 5 height from floor (2x)
- B: 120x5.4x1.8 (5X)
- C: 39x3.5x1.8 (4x)
- D: 35.4x5.4x1.8 (1x)
- E: 70x7.5x1.8 left and right 2x frontside and 2x backside
- E: right backside space 50 height and angle  $5^\circ$  from centre (1x)
- E: left backside space 50 height and angle  $5^\circ$  from centre (1x)
- F : 116.4x5.4x1.8 space 3.5x1.8 (2x)
- G: 1250x12x1.8 (1x)
- H: 27x5.4x1.8 (2x)
- I: 68x54x1.8 oblique bond as disired (2x)
- J: MDF 43x10x1.8 Radius max 5 height from floor (2x)
- K: 39x5.4x1.8 (4x)
- L: door- stop Lenght 2 (4x)
- M: zinc strip or felt 45x3x0.2 (2x)
- N: MDF 1.8 thick see template (3x)



Template / stencil MDF 18mm thick